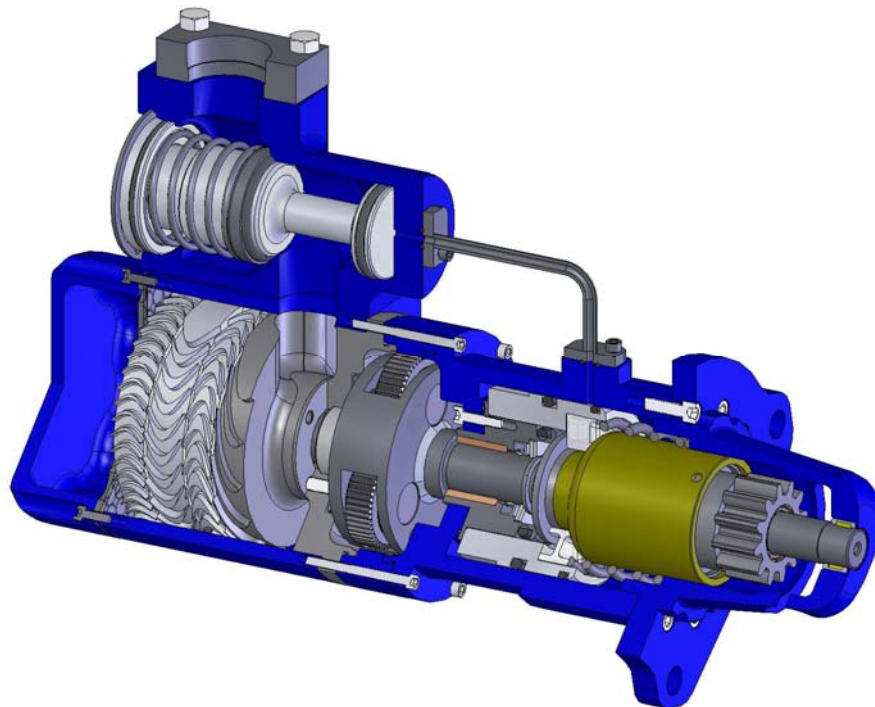


# ILLUSTRATED PARTS BREAKDOWN



## MODEL: T25 **TURBOTWIN** Engine Air Starter

# T25 **TURBOTWIN** AIR STARTER

## ILLUSTRATED PARTS BREAKDOWN

ITEM	PART #	DESCRIPTION	QTY	T25-29808
1	11F-16432-008	Screw	7	√
2	2-29462	Deflector, T30P Exhaust	1	
3	2-29564	Ring Support	1	
4	2-29565	Screen Turbine Exhaust	1	
5	14F-25028-012	Screw	1	√
6	9-93047	Washer, Turbine Rotor	1	
7	2-29479	Rotor, Turbine Stage 2	1	
8	9-90220-050	Key, 1/8 Square	2	√
9	9-91224	Bearing, Ball	2	√
10	9-90439	Spring, Pre-load	2	√
11	2-28445	Spacer, Labyrinth	1	√
12	2-29570	Control Line, "Out"	1	
13	9-92001-016	Retainer Ring	1	
14	9-90002-035	O-Ring	1	√
15	2-29551	End Cap	1	
16	9-90002-218	O-Ring	1	√
17	9-90435	Spring, Compression	1	√
18	2-25106	Cap, O-Ring	1	
19	9-90030-324	O-Ring	1	√
20	2-29472	Piston	1	
21	9-90002-221	O-Ring	1	√
22	71F-31218-024	Hex Head Cap Screw	4	√
23	2-28593-001	Inlet Fitting	1	
24	14F-25020-012	Screw	12	√
25	2-29329-001	Valve Housing, Solenoid	1	
25	2-29329-002	Valve Housing, Pneumatic	1	
26	2-29400	Control Line, "IN"	1	
27	9-90001-010	O-Ring	5	√
28	11F-19024-024	Screw	3	√
29	2-26324-013	Solenoid Valve, 12 VDC	1	
30	2-29404-00L	Nozzle 2 <sup>nd</sup> Stage, LH	1	
30	2-29404-00R	Nozzle 2 <sup>nd</sup> Stage, RH	1	
31	2-29478	Rotor, Turbine Stage 1	1	
32	2-26719	Lip Seal	1	√
33	9-93114	Spacer, Seal/Bearing	1	
34	2-29484-06L	Housing, Turbine T25	1	
34	2-29484-06R	Housing, Turbine T25	1	
34	2-29484-12L	Housing, Turbine T25	1	
34	2-29484-12R	Housing, Turbine T25	1	

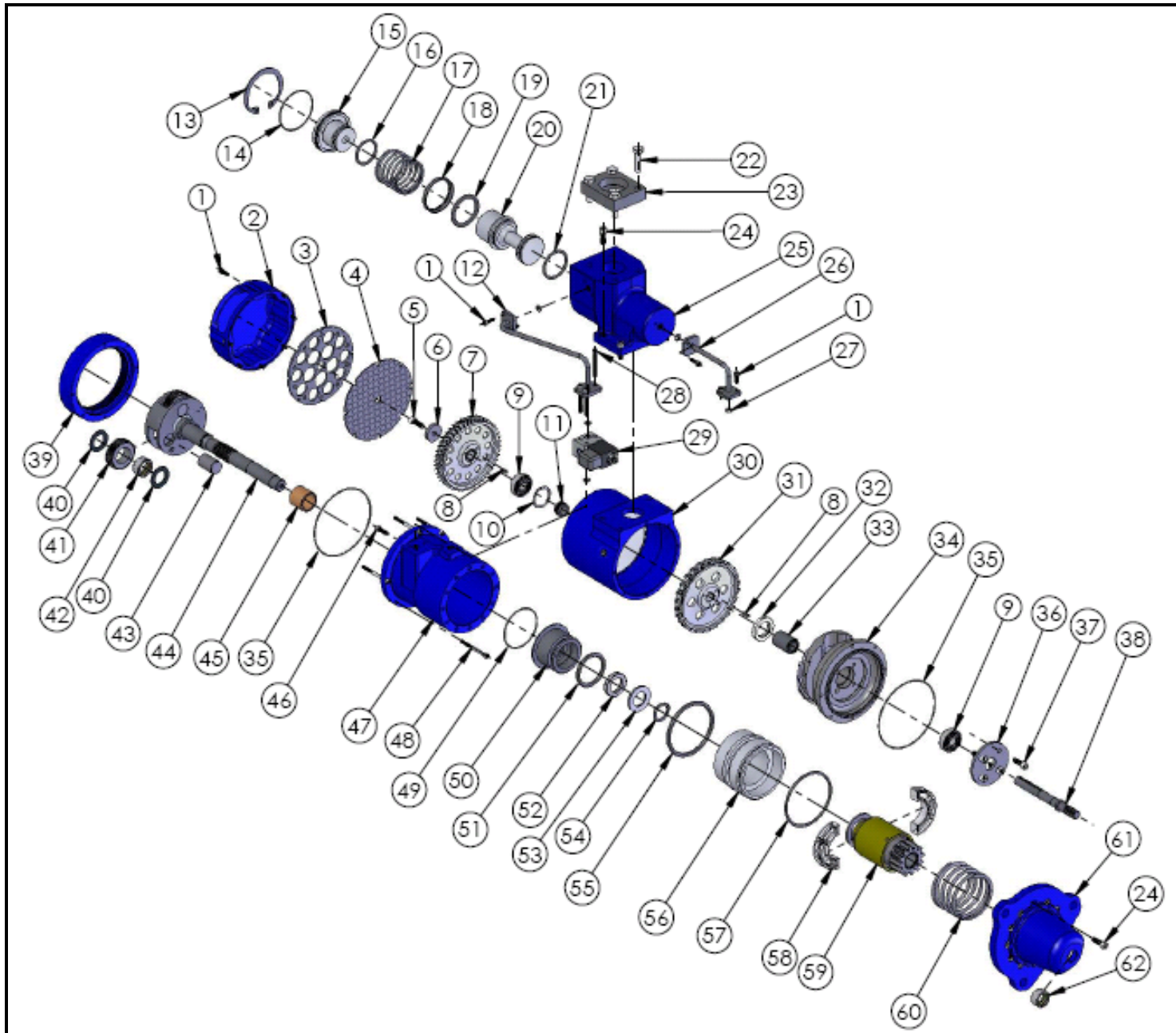
ITEM	PART #	DESCRIPTION	QTY	T25-29808
35	9-90001-044	O-Ring	2	√
36	2-27406	Retainer, Bearing	1	
37	14F-25020-012	Screw	4	√
38	2-29411	Shaft, Turbine, 10.25:1	1	
39	2-29409	Gear, Ring	1	
40	9-93065	Spacer, Gear	6	√
41	2-29408	Gear, Planet, 10.25:1	3	
42	9-91389	Bearing, Needle	3	√
43	2-22051	Shaft, Planet Gear	3	
44	2-29413-001	Carrier Shaft, 10.25:1	1	
45	9-91405	Bushing	1	√
46	14F-19024-012	Screw	4	√
47	2-29395	Housing, Gearbox	1	
48	11F-16432-032	Screw	7	√
49	9-90001-035	O-Ring	1	√
50	2-29099	Housing, Bearing	1	
51	9-90002-326	O-Ring	1	√
52	2-23810	Seal, Lip	1	√
53	9-93085-001	Washer, Thrust	2	√
54	9-92001-025	Ring, Retainer	1	
55	9-90002-336	O-Ring	1	√
56	2-29101	Piston	1	
57	9-90002-234	O-Ring	1	√
58	2-23419	Split Ring	1	√
59	2-29562	Drive, RH, 8/10P, 12T, MTU	1	
59	2-29562-001	Drive, LH, 8/10P, 12T, MTU	1	
59	2-29562-003	Drive, RH, 8/10P, 12T	1	
59	2-29562-004	Drive, LH, 8/10P, 12T	1	
59	2-29562-005	Drive, RH, 3 MOD, 9T	1	
59	2-29562-006	Drive, LH, 3 MOD, 9T	1	
59	2-29562-007	Drive, RH, 3 MOD, 11T	1	
59	2-29562-008	Drive, LH, 3 MOD, 11T	1	
60	9-90422	Spring, Compression	1	
61	2-29401	Housing, Drive, SAE 3	1	
61	2-29401-001	Housing, Drive, SAE 2, MTU	1	
61	2-29401-002	Housing, Drive, SAE 3, MAN	1	
61	2-29401-003	Housing, Drive, SAE 3, MAN	1	
62	9-91451	Bearing, Needle	1	√

Utilize overhaul kit P/N: T25-29808 when servicing T25 series air starters.

Publication: T25-718

Dated: December 3, 2008

# T25 TURBOTWIN AIR STARTER ILLUSTRATED PARTS BREAKDOWN



T25 Exploded View